

# Accesorios

## Accessories

### Casquillo de refuerzo Tube support



Código Code	Ref. Part No.	Tubo Tube	Int. manguera Tube ID	Ud/Caja Qty/Box
952801	ATS 04	1/4	0.170	3500
952802	ATS 05	5/16	0.216	3000
952803	ATS 06	3/8	1/4	1500
952804	ATS 07	1/2	3/8	800
Código Code	Ref. Part No.	Tubo Tube mm	Int. manguera Tube ID mm	Ud/Caja Qty/Box
952805	ATS 06M	6	4	3500
952806	ATS 08M	8	6	3000
952807	ATS 10M	10	7	1600
952808	ATS 12M	12	9	800
952809	ATS 15M	15	11.5	600
952810	ATS 16M	16	12	600
952811	ATS 18M	18	14	400
952812	ATS 22M	22	17.7	500
952813	ATS 28M	28	23	300

### Tapas Collet cover



Código Code	Ref. Part No.	Tubo Tube	Ud/Caja Qty/Box
952824	ACOV 04	1/4	700
952825	ACOV 05	5/16	600
952826	ACOV 06	3/8	600
952827	ACOV 07	1/2	500
Código Code	Ref. Part No.	Tubo Tube mm	Ud/Caja Qty/Box
952828	ACOV 06M	6	700
952829	ACOV 08M	8	600
952830	ACOV 10M	10	600
952831	ACOV 12M	12	500
952832	ACOV 15M	15	500
952833	ACOV 16M	16	500
952834	ACOV 18M	18	400
952835	ACOV 22M	22	300

### Clip de seguridad Locking clip



Código Code	Ref. Part No.	Tubo Tube	Ud/Caja Qty/Box
951641	ALC 04	1/4	10000
951642	ALC 05	5/16	8000
951604	ALC 06	3/8	7000
951643	ALC 07	1/2	5000
Código Code	Ref. Part No.	Tubo Tube mm	Ud/Caja Qty/Box
951644	ALCO 5M	5	12000
951645	ALCO 6M	6	10000
951646	ALCO 8M	8	8000
951647	ALC 10M	10	7000
951648	ALC 12M	12	5000
951649	ALC 15M	15	4000
951650	ALC 16M	16	4000
951651	ALC 18M	18	3000
951652	ALC 22M	22	2000

Asegura firmemente la conexión.  
Su diseño facilita la extracción.  
Variedad de colores disponibles.

Ensures a firm and more secure  
connection. With its protruding tab,  
attaching and detaching the clip is  
easy. Available in a variety of colors  
-allows easy color-coding.

### Soporte para curva Flow bend clip



Código Code	Ref. Part No.	Tubo Tube	Ud/Caja Qty/Box
952836	AFBC 05	5/16	400
952837	AFBC 06	3/8	200
Código Code	Ref. Part No.	Tubo Tube mm	Ud/Caja Qty/Box
952838	AFBC 08M	8	300
952839	AFBC 10M	10	200
Código Code	Ref. Part No.	Tubo Tube	Ud/Caja Qty/Box
952840	NFBC 08	1/2 (12 mm) a to 5/8 (15 mm)	100

# Accesorios

## Accessories

### Cortatubo

TC - Tube cutter



El cortatubo de Starfit dispone de una hoja de gran calidad adecuada para cortar tuberías de plástico con un diámetro de hasta 13 mm. [Starfit Tube Cutter with quality blade is suitable for cutting plastic tubing sizes up to 13 mm.](#)

### Pinza corta-tubos

Tube cutter



Código Code	Ref. Part No.	Tubo (ø máx) Tube (ø máx)	Ud/Caja Qty/Box
952843	TC	1/2" o 13 mm	1

### Útil de montaje

Spanner



Código Code	Ref. Part No.	Tubo Tube	Ud/Caja Qty/Box
952841	ASP	3/16, 1/4, 5/16, 3/8, 1/2	1

### Tijeras — Nylon

Hand tube cutter— Nylon



Código Code	Ref. Part No.	Tubo Tube min.	Tubo pulg. Tube inch max.	Ud/Caja Qty/Box
952842	HTC	5/32 (4 mm)	5/8 (16 mm)	1

### Útil de extracción

Release aid

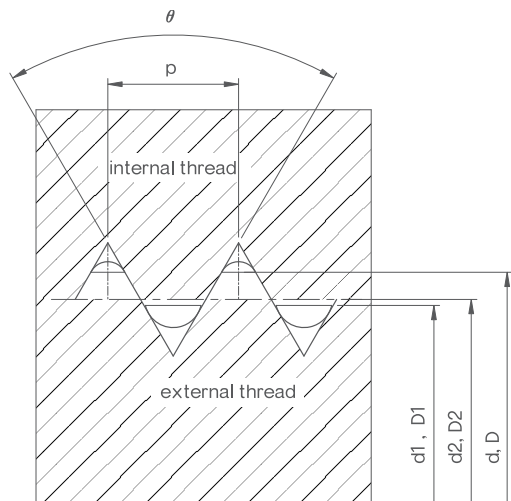


Código Code	Ref. Part No.	Tubo Tube	Ud/Caja Qty/Box
952844	ARA 06	3/8	700
952845	ARA 07	1/2	700

Código Code	Ref. Part No.	Tubo Tube mm	Ud/Caja Qty/Box
952846	ARA10M	10	700
952847	ARA12M	12	700
952848	ARA15M	15	600
952849	ARA16M	16	600
952850	ARA18M	18	500
952851	ARA22M	22	500
952852	ARA28M	28	500

# Rosca paralela

## Parallel thread

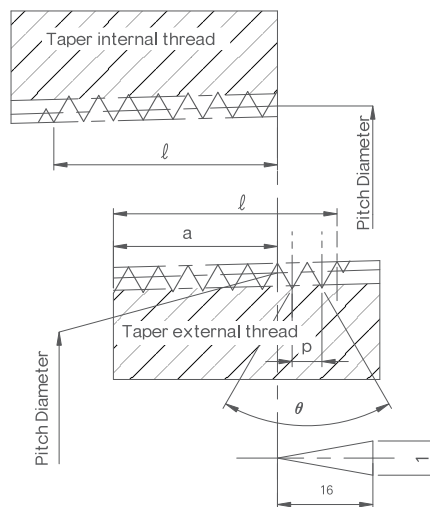


Diámetro Nominal Nominal Size	Ángulo Angle (°)	Distancia entre hilos Pitch of Thread (p)	Hembra Female			
			Diám. Máx. (D) Major Dia. (D)	Diám. Paso (D2) Pitch Dia. (D2)	Diám. Mín. (D1) Minor Dia. (D1)	
			Macho Male			
			Diám. Máx. (d) Major Dia. (d)	Diám. Paso (d2) Pitch Dia. (d2)	Diám. Mín. (d1) Minor Dia. (d1)	
1/8-28 BSPP(PF)	55	0.907	9.728	9.147	8.566	
1/4-19 BSPP(PF)		1.337	13.157	12.301	11.445	
3/8-19 BSPP(PF)		1.337	16.662	15.806	14.950	
1/2-14 BSPP(PF)		1.814	20.955	19.793	18.631	
5/8-14 BSPP(PF)		1.814	22.911	21.749	20.587	
3/4-14 BSPP(PF)		1.814	26.411	25.279	24.117	
7/16-20 UNF	60	1.270	11.112	10.287	9.738	
1/2-20 UNF		1.270	12.70	11.874	11.326	
5/8-18 UNF		1.4111	15.875	14.958	14.348	
3/4-16 UNF		1.5875	19.05	18.019	17.33	
7/16-24 UNS 2B		60	1.058	11.113	10.549	10.211
2A	11.085			10.396	9.825	
1/2-16 UN 2B	60	1.588	12.700	11.824	11.328	
2A			12.664	11.633	10.772	
9/16-24 UNEF 2B	60	1.058	14.288	13.729	13.386	
2A			14.257	13.569	12.997	
1/2-14 NPSM	60	1.814	20.904	19.942	19.279	
			20.904	19.733	19.279	
			27.242	26.022	24.803	
0.75-11.5 NH	60	2.209	27.242	26.022	24.803	
			26.988	25.552	24.117	
3/8-24 BSW	55	1.588	9.525	8.509	7.492	
1/2-24 BSW			2.117	12.700	11.345	9.990
9/16-24 BWS			2.117	14.287	12.931	11.574

- BSP(P)**. British Standard Pipe Parallel Thread.
- UNF**. Unified National Fine Thread.
- UNS**. Unified National Special Thread.
- UN**. Unified National Thread.
- UNEF**. Unified National Extra Fine.
- NPSM**. National Pipe Straight Mechanical Thread.
- NH**. National Hose coupling Thread.
- BSW**. British Standard whitworth Thread.

# Rosca cónica

## Taper thread



Diámetro Nominal Nominal Size	Ángulo Angle (°)	Distancia entre hilos Pitch of Thread (p)	Diámetro paso Pitch Dia.	Rosca externa efectiva Effective thread external (l)	Diámetro nominal de rosca Nominal complete ext. thread (a)
1/8-27 NPTF	60	0.941	9.489	6.924	4.102
1/4-18 NPTF		1.411	12.487	10.020	5.786
3/8-18 NPTF		1.411	15.926	10.330	6.096
1/2-14 NPTF		1.814	19.772	13.571	8.128
3/4-14 NPTF		1.814	25.117	14.504	8.611
1/8-28 BSPT(PT)		55	0.907	9.147	80.000
1/4-19 BSPT(PT)	1.337		12.301	11.000	6.010
3/8-19 BSPT(PT)	1.337		15.806	12.000	6.350
1/2-14 BSPT(PT)	1.814		19.793	15.000	8.160
3/4-14 BSPT(PT)	1.814		25.279	17.000	9.530

- NPTF**. National Pipe Taper Fuel Thread.
- BSPT(T)**. British Standard Pipe Tapered Thread.